

# WHIZ 2.0

SPECIFICATION SHEET  
BI-DIRECTIONAL - STATIC WHITE

SLEEK AND ARCHITECTURAL  
HIGH CEILING SOLUTION

## Housing

Diameter : Ø18.9" | Height : 4.57" | Weight : 36 lbs

## Material

Housing : High Pressure Die-Cast Aluminum  
Lens : High Transmittance Clear Tempered Glass

## Power Input

Downlight : 120W, 170W, 240W, 280W | 120V, 120-277V, 347-480V  
Uplight : 30W, 60W | 120V, 120-277V, 347-480V

## Lumen Output

Downlight : 17,100 lm (120W), 24,200 lm (170W), 34,300 lm (240W),  
40,020 lm (280W)  
Uplight : 4,390 lm (30W), 8,730 lm (60W)

## Dimming

Standard 0-10V : Dims to 10%  
Superior 0-10V : Dims to 1%  
DMX : High resolution dims to 0.1%  
DALI : Dims to 10%

## Color Quality

CRI 75, CRI 85

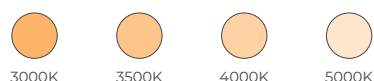
## Rated Life

> 100,000 Hours (L70)

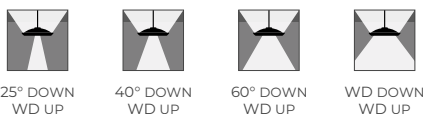
## Finish



## Color Temperature



## Optics



## Warranty

5 Year limited warranty

## Listing



## Redefining High Ceiling Design One More Time

A next leap from our flagship luminaire, the Whiz 2.0. Building on its architectural excellence and high-performance heritage, our latest variation adds an expressive indirect uplight, breathing new life into this award-winning series.

Configure both the uplight and downlight with dynamic color-changing options or white light combinations—all conveniently packaged into a single, integrated solution.



METEOR

meteor-lighting.com

**SPECIFICATION**

PROJECT NAME

DATE

CATALOG #

QUANTITY

The product configurator function on this page works only with the latest version of Chrome or Adobe Acrobat Reader.

<input type="text" value="WS2B"/>	MODEL	<b>WHIZ 2.0 BI-DIRECTIONAL</b>		
<input type="text"/>	WATTAGE	<b>150</b> Downlight: 120W Uplight: 30W  <b>310</b> Downlight: 280W Uplight: 30W	<b>200</b> Downlight: 170W Uplight: 30W	<b>270</b> Downlight: 240W Uplight: 30W
<input type="text"/>	CCT / CRI	<b>308</b> 3000K / CRI 85 <b>507</b> 5000K / CRI 75	<b>358</b> 3500K / CRI 85	<b>408</b> 4000K / CRI 85
<input type="text"/>	VOLTAGE	<b>120</b> 120V	<b>UNV</b> 120-277V	<b>HVT</b> 347-480V
<input type="text"/>	DIMMING	<b>NOD</b> Non-Dimming  <b>SPVD</b> Superior 0-10V dims to 1% Dual (Up/Down Separately) <b>DMXRS<sup>2</sup></b> DMX dims to 0.1% Single (Up/Down Together)	<b>STV</b> Standard 0-10V dims to 10%  <b>DMXS<sup>1</sup></b> DMX dims to 0.1% Single (Up/Down Together) <b>DMXRD<sup>2</sup></b> DMX dims to 0.1% Dual (Up/Down Separately)	<b>SPVS</b> Superior 0-10V dims to 1% Single (Up/Down Together) <b>DMXD<sup>1</sup></b> DMX dims to 0.1% Dual (Up/Down Separately) <b>DALI<sup>3</sup></b> DALI dims to 10%
<input type="text"/>	BEAM ANGLE	<b>Downlight</b> <b>25</b> 25° <b>WD<sup>4</sup></b> Wide (With diffuser)	<b>40</b> 40°	<b>60</b> 60°
<input type="text" value="WD"/>		<b>Uplight</b> <b>WD<sup>4</sup></b> Wide (With diffuser)		
<input type="text"/>	FINISH	<b>BLK</b> Black	<b>WHT</b> White	
<input type="text"/>	MOUNTING	<b>ST2</b> Stem 2ft	<b>ST4</b> Stem 4ft	<b>AD10</b> Adjustable Cable 10ft
<input type="text"/>	ACCESSORIES	<b>EMP<sup>5,6</sup></b> Remote Emergency Pack	<b>DF<sup>7</sup></b> Diffuser	<b>WG<sup>8</sup></b> Wire Guard (IK10 Rating)

CLEAR FORM

<sup>1</sup> DMX is connected with XLR sockets  
<sup>2</sup> DMXR is connected with RJ45 sockets  
<sup>3</sup> DALI is not compatible with HVT  
<sup>4</sup> WD option reduces delivered lumens by ~20%  
<sup>5</sup> EMP is not compatible with HVT  
<sup>6</sup> Only the downlight activates during emergency power  
<sup>7</sup> DF option reduces delivered lumens by ~12%  
<sup>8</sup> WG option reduces delivered lumens by ~14%

**TECHNICAL DETAILS**

**Electrical**

- Downlight : 17,100 lm (120W), 24,200 lm (170W), 34,300 lm (240W) 40,020lm (280W)
- Uplight : 4,390 lm (30W), 8,730 lm (60W)
- Power Input : 120V, 120-277V, 347-480V
- Operating Temperature : -40°F~112°F
- Surge Protection : Built-in is 4KV
- Emergency Pack with Mounting Plate : Philips Bodine BSL20B2UEK55C1I1
- Power Factor Greater than 0.9

**LED Features**

- Color Temperature : 3000K, 3500K, 4000K, 5000K
- CRI 75, CRI 85
- Long lasting LED luminaire tested under TM21 lumen maintenance L70 @ 100,000 Hrs

**Optics**

- Beam Angle Down : 25°, 40°, 60°, WD (With diffuser)  
Beam Angle Up : WD (With diffuser)

**Advanced Dimming**

- Proprietary VX Driver™ is integrated across all dimming options, delivering video flicker-free performance and full compliance with IEEE 1789.
- Standard 0-10V: Dims to 10%
- Superior 0-10V : Dims to 1%
- DMX : High resolution dims to 0.1% (Supports ANSI E1.20 RDM protocol)
- DALI : dims to 10%

**Housing**

- Diameter : Ø18.9"
- Height : 4.57"
- Weight : 36 lbs
- Material : High Pressure Die-Cast Aluminum, Tempered Glass

**Mounting**

- Stem Mount 2ft or 4ft
- Adjustable Cable 10ft

**Warranty**

- 5-year limited warranty

**Listing**

- ETL Damp Location Listed
- CE
- UKCA
- FCC

**PERFORMANCE SUMMARY\***

	Delivered Lumens			
CCT/WATTAGE	3000K	3500K	4000K	5000K
<b>120W</b> DOWN	15,000lm	15,200lm	15,900lm	17,100lm
<b>170W</b> DOWN	21,250lm	21,550lm	22,600lm	24,200lm
<b>240W</b> DOWN	30,000lm	30,400lm	31,920lm	34,300lm
<b>280W</b> DOWN	35,000lm	35,500lm	37,250lm	40,020lm
<b>30W</b> UP	3,800lm	3,960lm	4,100lm	4,390lm
<b>60W</b> UP	7,590lm	8,040m	8,150lm	8,730lm

\*Beam Angle: 60° \*Tolerance ±8%

**PERFORMANCE SUMMARY**

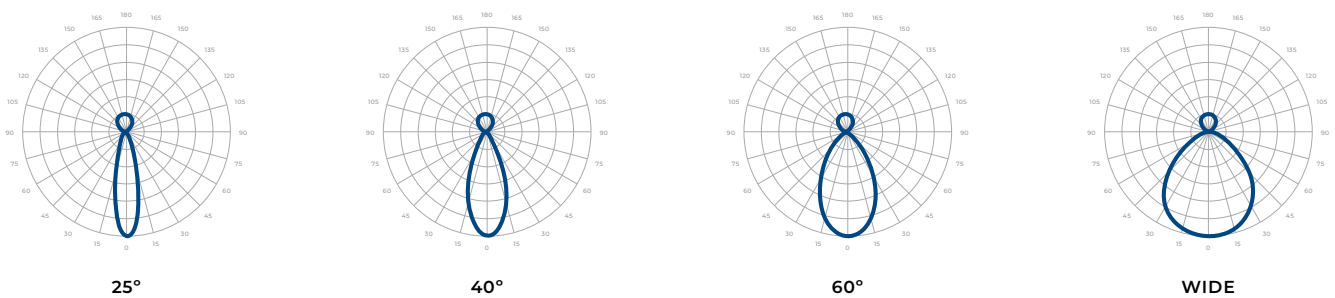
Current Consumption				
WATTAGE / VOLT	120V	277V	347V	480V
<b>120W + 30W</b> DOWN UP	1.47A	0.64A	0.51A	0.38A
<b>170W + 30W</b> DOWN UP	1.95A	0.84A	0.67A	0.48A
<b>240W + 30W</b> DOWN UP	2.57A	1.12A	0.89A	0.65A
<b>280W + 30W</b> DOWN UP	2.93A	1.27A	1.02A	0.74A

Current Consumption				
WATTAGE / VOLT	120V	277V	347V	480V
<b>120W + 60W</b> DOWN UP	1.66A	0.72A	0.58A	0.43A
<b>170W + 60W</b> DOWN UP	2.12A	0.92A	0.74A	0.53A
<b>240W + 60W</b> DOWN UP	2.76A	1.20A	0.98A	0.70A
<b>280W + 60W</b> DOWN UP	3.12A	1.35A	1.09A	0.79A

Emergency Pack Lumen Output Table				
CCT	3000K	3500K	4000K	5000K
<b>LUMEN</b>	1,900lm	1,920lm	1,980lm	2,360lm

**PHOTOMETRICS**

Below is a typical photometric representation of the Whiz 2.0 Bi-Directional fixture. Please download IES files to ensure exact photometric value.



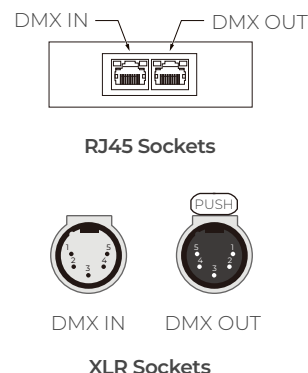
## DMX REQUIREMENTS

The Whiz 2.0 Bi-Directional fixture with DMX is a **single channel dmx** unit. The downlight and uplight are controlled **separately**. When placing an order, please indicate DMX address. (The DMX address will be listed on the back of the fixture). Do not connect more than 32 fixtures per DMX daisy chain.

DMX Address		
Fixture	Uplight	Downlight
#1	1	2
#2	3	4
#3	5	6

The fixture can be connected with RJ45 or XLR sockets. DMX cables **are not** included; please refer to compatible DMX cabling list for more information. The final fixture on each daisy chain should be terminated by the use of a DMX terminator purchased from a 3rd party or from Meteor.

CONNECTION	RJ45 (CAT5e)	5-PIN XLR
Common	WHITE/BROWN(PIN7) & BROWN (PIN 8)	PIN 1
Signal -	ORANGE (PIN 2)	PIN 2
Signal +	WHITE/ORANGE (PIN 1)	PIN 3
Spare	-	PIN 4
Spare	-	PIN 5

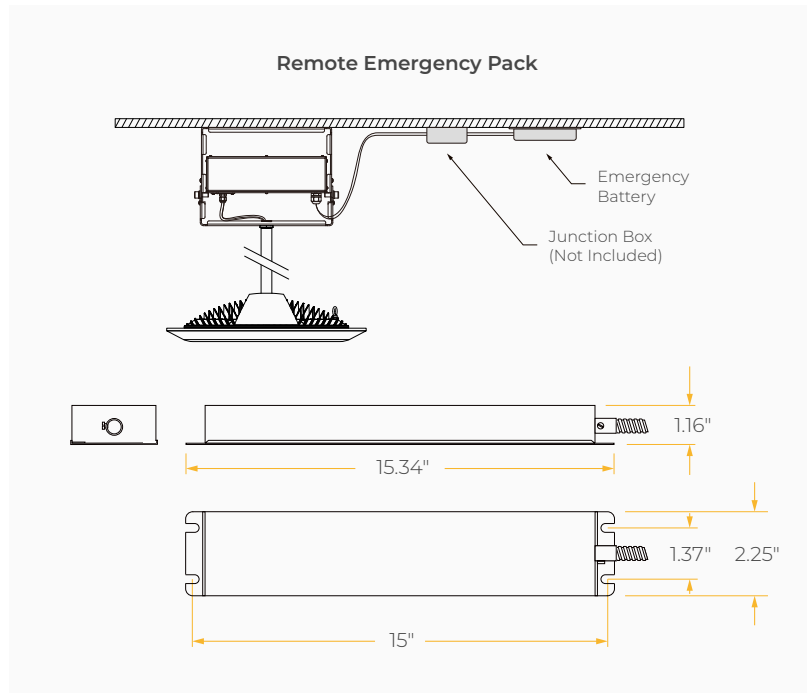
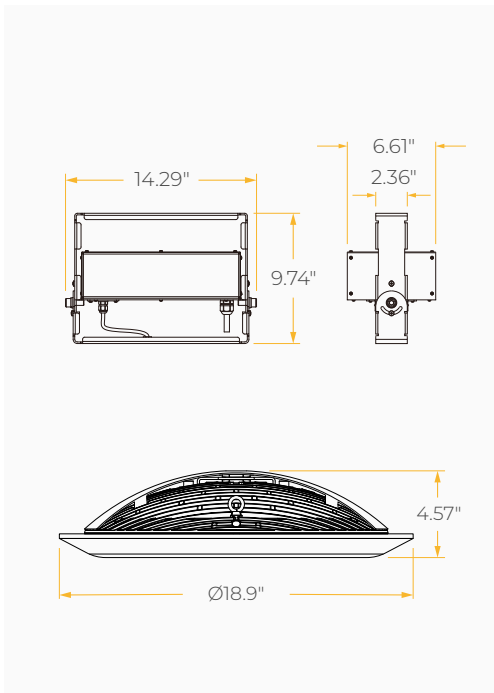


## COMPATIBLE DMX CABLING LIST

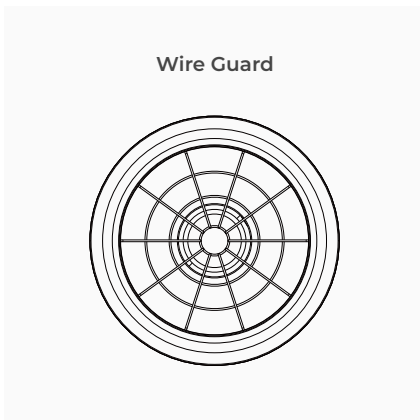
DMX uses a cable consisting of two twisted pairs plus a shield to carry data. The cable must be specifically impedance matched for the digital DMX signal, meaning that microphone cable or other non-rated cable **must not be used to carry DMX**. Network cable (Cat5, 5e or 6 cable) may be used to carry DMX in an installation; however special consideration must be given to shielding and termination. Under no circumstances should solid core cable like Cat5 be terminated into a screw down connector.

Meteor recommends the use of Belden 9729 or Belden 9841 for DMX installation. Belden 9729/9841 is a two pair cable, which allows for a spare pair for 'out and back' type terminations if needed.

**DIMENSIONS**



**ACCESSORY**



**MOUNTING OPTIONS**

